

TRANSPORT, ASSEMBLY AND USE MANUAL FOR ACOUSTIC PANELS GREEN WALL WELDON-2C

1. Packing, transport and storage of acoustic panels

1.1. Instructions for packing, transport and unloading.

- the „green wall” WELDON-2C acoustic panels should be packed in special packages, vertically, up to 10 pcs. each,

- the panels should be tied together into a package using polypropylene tape and banded using metal pins. Additionally secured at the bottom using wooden pads and protected against mechanical damage during transport using transport belts,

- loading, transport and unloading of WELDON-2C panels may be performed by qualified staff only, holding appropriate licences and using adequate means of transportation, observing all general safety conditions and measures.

1.2. Storage instructions

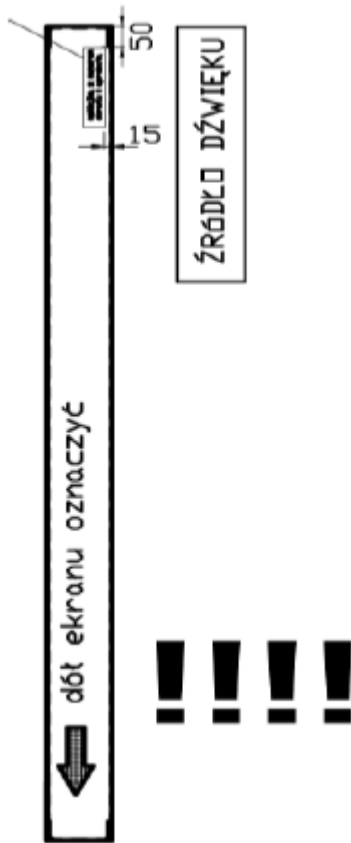
The WELDON-2C panels should be stored in original packages, at locations and in conditions preventing exposure to potential damage. The panels may be stored outdoors, on a paved and drained surface, but they should not be exposed to intensive corrosion (e.g. close to salt storage locations or storage locations of other aggressive, corrosive materials). The storage location/area should be protected against unauthorised entry and activities.

2. Acoustic panel installation

The acoustic panels should be installed such that damage to the anti-corrosion protection of the panels, the poles and other panel elements (filling) is avoided, as it may result in deterioration of the acoustic properties of the product.

The panels should be installed as indicated, i.e. with the absorbing side towards the propagation source, as presented in the diagram below.

Weldon Sp. z o.o. 39-102 Brzezówka 90A Tax ID/NIP: 872-21-67-676	Containers, sound screens, steel structures tel. +48 +14 64-66-700 fax +48 +14 64-66-771	www.weldon.pl www.kontenery.weldon.pl e-mail: kontakt@weldon.pl
REGON: 691752495 / KRS: 0000165528 District Court in Rzeszów 12th Economic Department Company capital: 500 000 PLN / ALIOR BANK S.A o/Dębica 41 2490 0005 0000 4530 3438 7202		



Mark the bottom of the screen, SOUND SOURCE

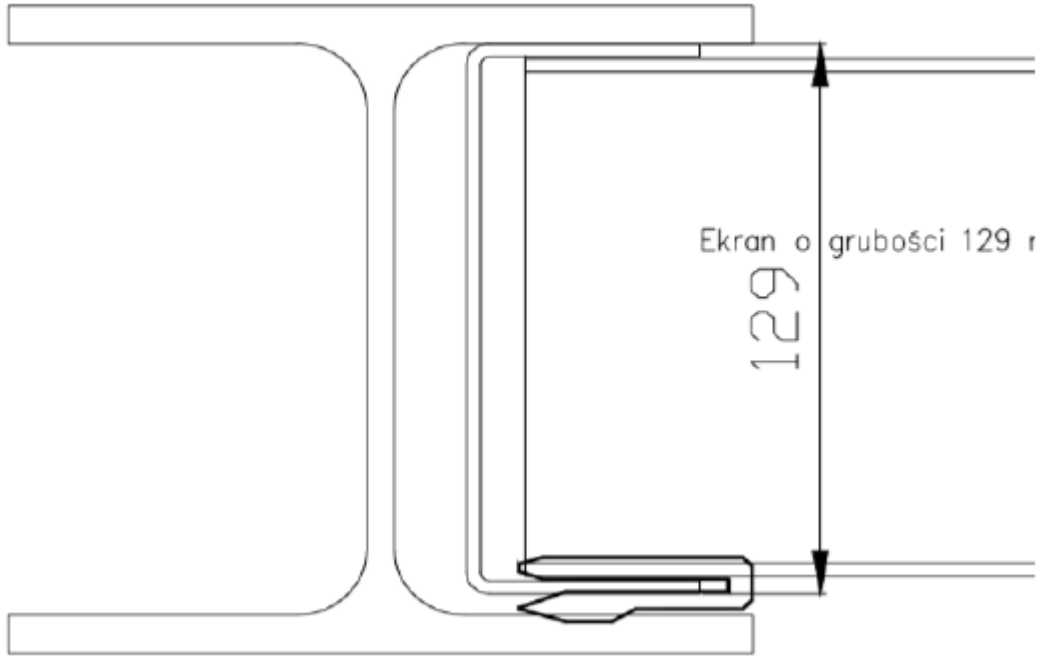
Labelling and installation direction diagram for the acoustic panels.

All horizontal gaps at joints between panels and gaps between panels and pillars should be additionally secured using a dedicated, rubber seal.

On the other hand, the following two solutions are recommended between the panels and the pillars, depending on the type (dimensions) of the shielding poles.

- in the case of **HEA/HEB 160-180** poles, distancing elements are recommended (Fig. 1) with at least 4 poles per acoustic panels.

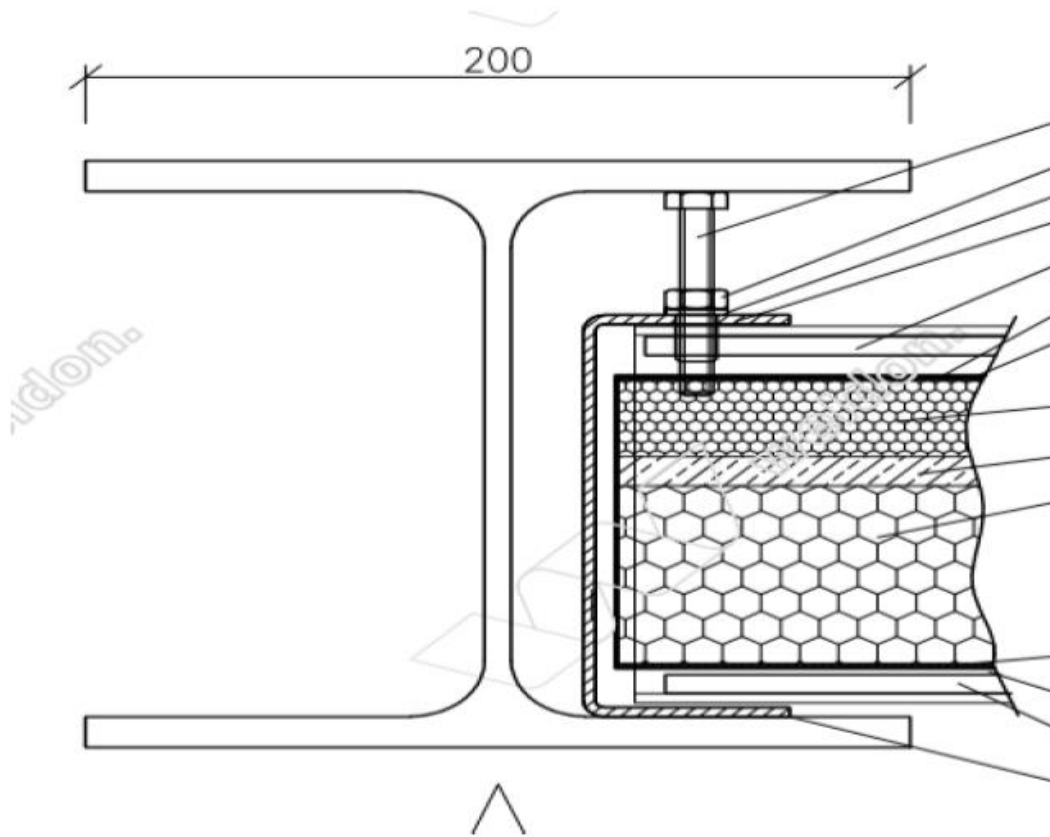
<p>Weldon Sp. z o.o. 39-102 Brzezówka 90A Tax ID/NIP: 872-21-67-676</p>	<p>Containers, sound screens, steel structures tel. +48 +14 64-66-700 fax +48 +14 64-66-771</p>	<p>www.weldon.pl www.kontenery.weldon.pl e-mail: kontakt@weldon.pl</p>
<p>REGON: 691752495 / KRS: 0000165528 District Court in Rzeszów 12th Economic Department Company capital: 500 000 PLN / ALIOR BANK S.A o/Dębica 41 2490 0005 0000 4530 3438 7202</p>		



129 mm thick screen

- in the case of poles **bigger than HEA/HEB 180** the manufacturer recommends the use of blind rivet nuts (Fig. 2) in the number according to the documentation, executed as requested by the customer.

<p>Weldon Sp. z o.o. 39-102 Brzezówka 90A Tax ID/NIP: 872-21-67-676</p>	<p>Containers, sound screens, steel structures tel. +48 +14 64-66-700 fax +48 +14 64-66-771</p>	<p>www.weldon.pl www.kontenery.weldon.pl e-mail: kontakt@weldon.pl</p>
<p>REGON: 691752495 / KRS: 0000165528 District Court in Rzeszów 12th Economic Department Company capital: 500 000 PLN / ALIOR BANK S.A o/Dębica 41 2490 0005 0000 4530 3438 7202</p>		



Caution!

Anti-corrosion coatings damaged during transport, storage at the construction site or during panel installation should be immediately repaired using a zinc-rich paint, with the minimum thickness of 120 μm .

3. Acoustic panel use

The WELDON-2C panels may be used to install screens made for a specific construction site according to an approved construction project, which should include, in particular:

- determination of the wind load zone acc. PN-B-02011:1977 for the screen filling,
- the minimum distance between the screen and the snow ploughing zone, as well as the maximum snow ploughing speed acc. PN-EN 1794-1:2018-04 (applicable to roads),
- the minimum distance between the screen and the railway track axis, as well as the maximum train speed acc. PN-EN 1991-2:2007 (applicable to railway tracks),
- distance between the poles,
- required acoustic parameters of the panels,
- screen height.

The WELDON-2C panels should be placed according to the conditions outlined in the Ordinance of the Minister of Transport and Marine Economy of 30th May 2000 on technical conditions

<p>Weldon Sp. z o.o. 39-102 Brzezówka 90A Tax ID/NIP: 872-21-67-676</p>	<p>Containers, sound screens, steel structures tel. +48 +14 64-66-700 fax +48 +14 64-66-771</p>	<p>www.weldon.pl www.kontenery.weldon.pl e-mail: kontakt@weldon.pl</p>
<p>REGON: 691752495 / KRS: 0000165528 District Court in Rzeszów 12th Economic Department Company capital: 500 000 PLN / ALIOR BANK S.A o/Dębica 41 2490 0005 0000 4530 3438 7202</p>		

which should be met by road engineering sites and their locations (Journal of Laws no. 63, item 735, as amended). The WELDON-2C panels should be installed near roads and railway tracks according to conditions specified in the National Technical Assessment issued by the Road and Bridge Research Institute in Warsaw no. IBDiM-KOT-2018/0172 and to the construction project. The construction product should be used according to its intended use, scope and conditions specified in the National Technical Assessment and in technical construction regulations applicable to the specific building type in communication construction. Before the construction product is used contrary to technical construction regulations, an approval of such a non-conformity with the regulations should be obtained as specified in art. 9 of the Act of 7th July 1994 Construction Law (Journal of Laws 2016, item 290 as amended),

4. General warranty conditions.

4.1. Quality warranty and guarantee.

The warranty period of the manufacturer is 60 months from the delivery date as a standard. This period may be extended if agreed so with the customer.

Guarantee liability is excluded both in the case of business clients and entrepreneurs with customer rights (Art. 558 CLC).

4.2. Fault reporting.

Faults or malfunctions identified by the Ordering Party should be reported within two working days after the identification, under the pain of losing warranty rights. The complaints shall be processed with a WELDON Sp. z o.o. Representative participating.

Periodic warranty maintenance, the schedule of which is determined individually and specified in the offer, is a condition necessary to maintain the warranty. In general, in the case of projects up to the total panel area of 5,000 m² inspections are required twice a year, without the presence of a Weldon sp. z o.o. representative, but the obligation of providing the manufacturer with an Inspection Protocol applies.

In the case of projects with the total area larger than 5,000 m² two warranty inspections per year are required in the presence of a Weldon sp. z o.o. representative, after a prior notification about the planned meeting time sent to the manufacturer a week in advance.

4.3. Claims.

All warranty claims should be sent by e-mail to: reklamacje@weldon.pl.

Such claims shall not provide a basis for withholding payments for the delivered goods.

The reported malfunctions related to damage of acoustic panel elements or dimension or straight line deviations are analysed individually after reporting, and if the report is considered to be valid, the malfunctions or damage shall be repaired or removed according to the repair programme of the manufacturer.

4.4. The warranty loses its validity if:

- the acoustic panel is used or assembled contrary to the National Technical Assessment and this manual,

Weldon Sp. z o.o. 39-102 Brzezówka 90A Tax ID/NIP: 872-21-67-676	Containers, sound screens, steel structures tel. +48 +14 64-66-700 fax +48 +14 64-66-771	www.weldon.pl www.kontenery.weldon.pl e-mail: kontakt@weldon.pl
REGON: 691752495 / KRS: 0000165528 District Court in Rzeszów 12th Economic Department Company capital: 500 000 PLN / ALIOR BANK S.A o/Dębica 41 2490 0005 0000 4530 3438 7202		

- damage caused during unloading and assembly, if no repairs of such damage were undertaken and if no repair protocol taking into account the labelling of the given element was prepared,
- mechanical and thermal damage of the anti-corrosion coating and of the individual elements of the acoustic panel caused by modifications during assembly and use performed by the Ordering Party,
- mechanical, thermal, chemical damage during use, excluding normal wear and tear,
- damage caused by random events and Force Majeure circumstances,
- devastation and acts of vandalism,
- effects of actions of third parties resulting from the lack of or from inadequate panel storage area protection,
- inability to identify the complained product,
- structural changes to elements made during the assembly, including openings made in the case of assembly in HEA/HEB 160-180 poles
- delay in reporting of an identified fault,
- damage to surfaces caused by excessive storage.

Caution!

The so-called "white corrosion" (white-grey stains caused by weather conditions) may appear on the galvanized surface of the acoustic panel frames, which is a natural condition not covered by the warranty.

Similarly, the warranty does not include any changes to aesthetics or properties of the product caused by collection of natural contamination on surfaces of the acoustic panels during their transport, storage and use.

5. Environmental protection.

At the end of product life cycle, actions specified in the rules and hierarchy of waste management should be undertaken, according to national regulations effective in the country where the product becomes a waste and to European law (within the European Union). In particular, the rule of minimisation of the quantity of generated waste and of selective waste disposal for further recycling and/or recovery should be applied. In the case of doubts related to product handling, it is recommended to contact the manufacturer of the acoustic panels.

Weldon Sp. z o.o. 39-102 Brzezówka 90A Tax ID/NIP: 872-21-67-676	Containers, sound screens, steel structures tel. +48 +14 64-66-700 fax +48 +14 64-66-771	www.weldon.pl www.kontenery.weldon.pl e-mail: kontakt@weldon.pl
REGON: 691752495 / KRS: 0000165528 District Court in Rzeszów 12th Economic Department Company capital: 500 000 PLN / ALIOR BANK S.A o/Debica 41 2490 0005 0000 4530 3438 7202		